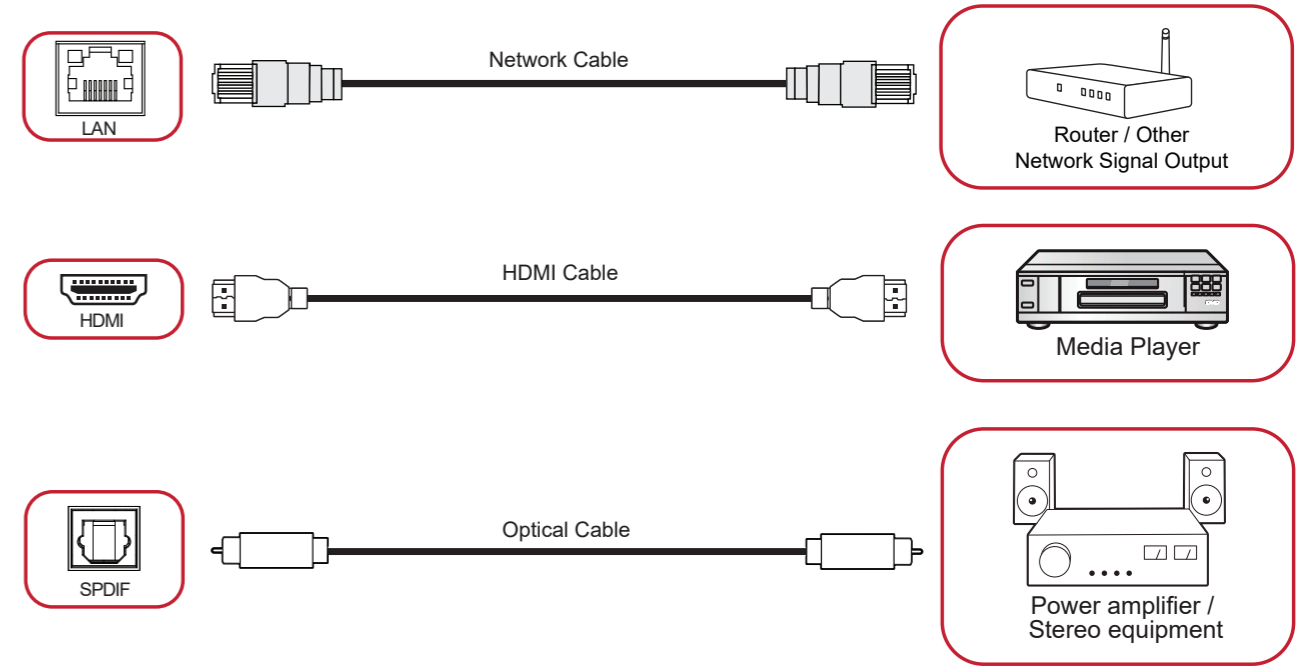
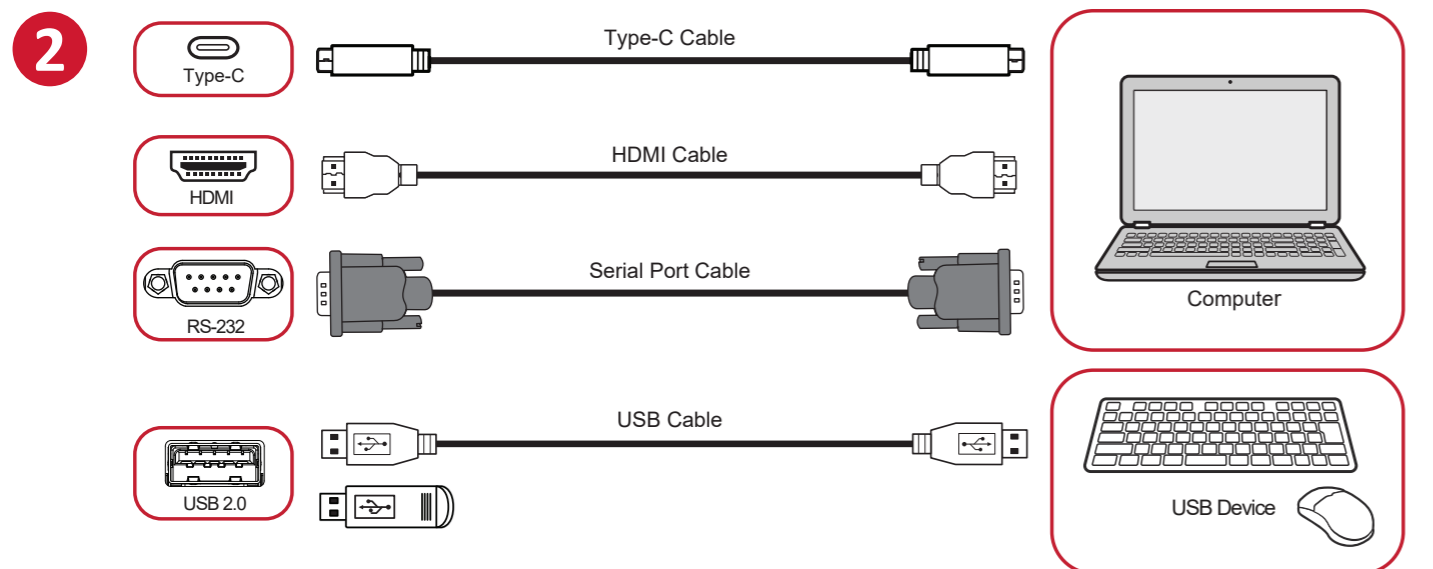
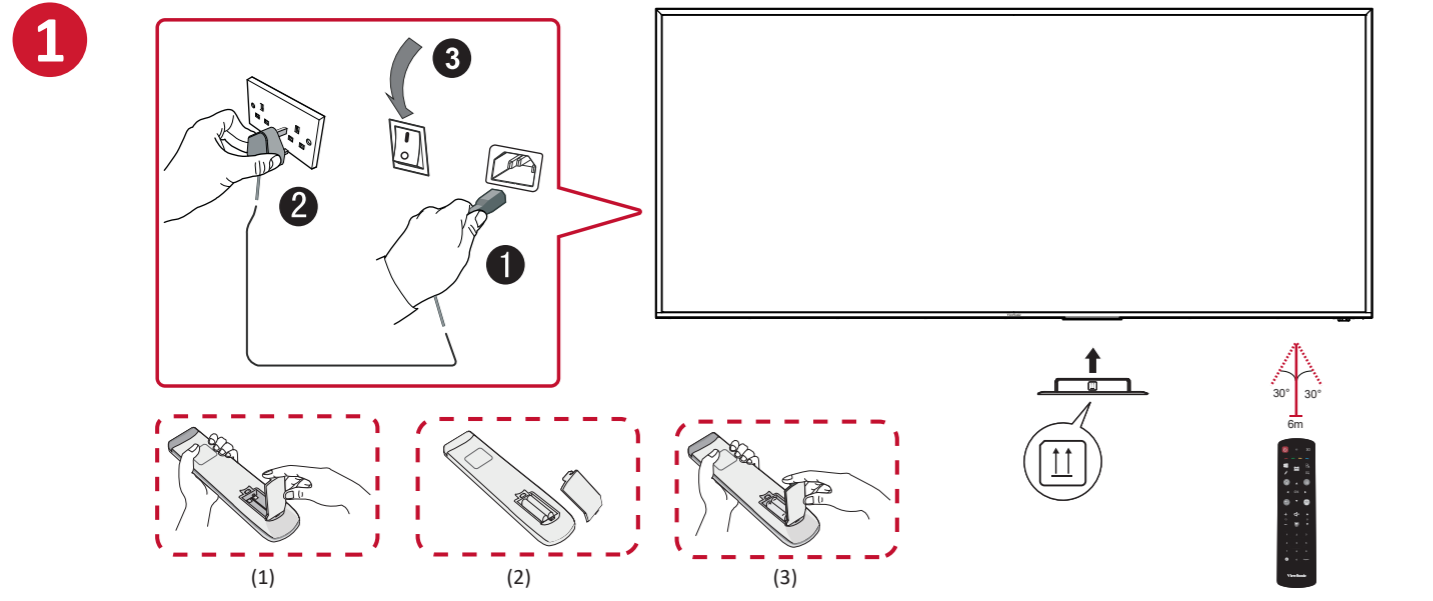
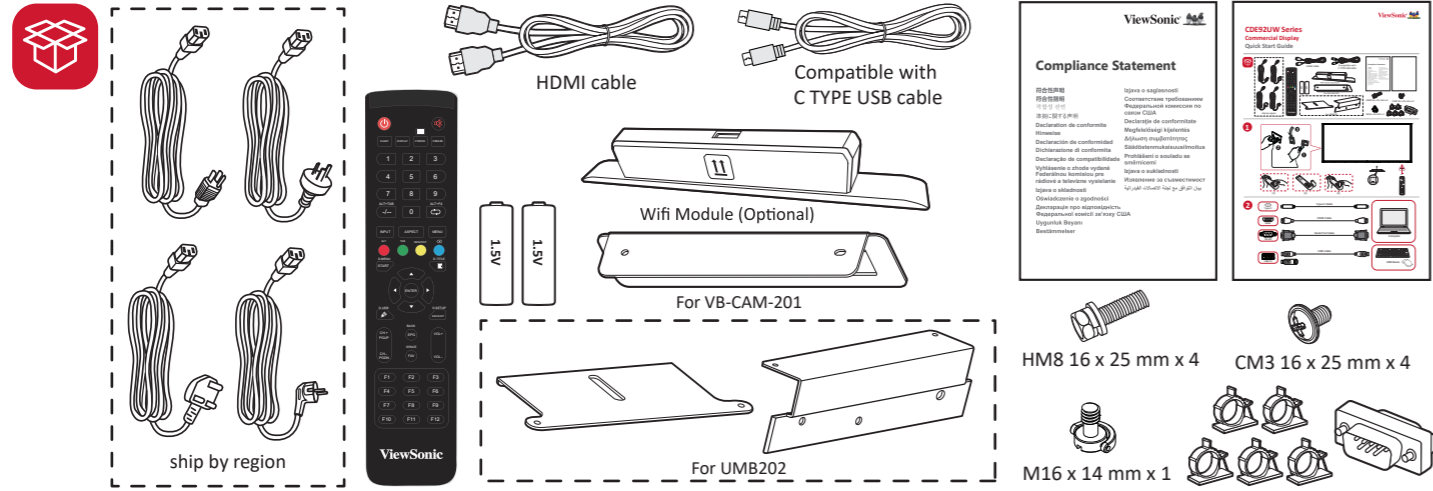
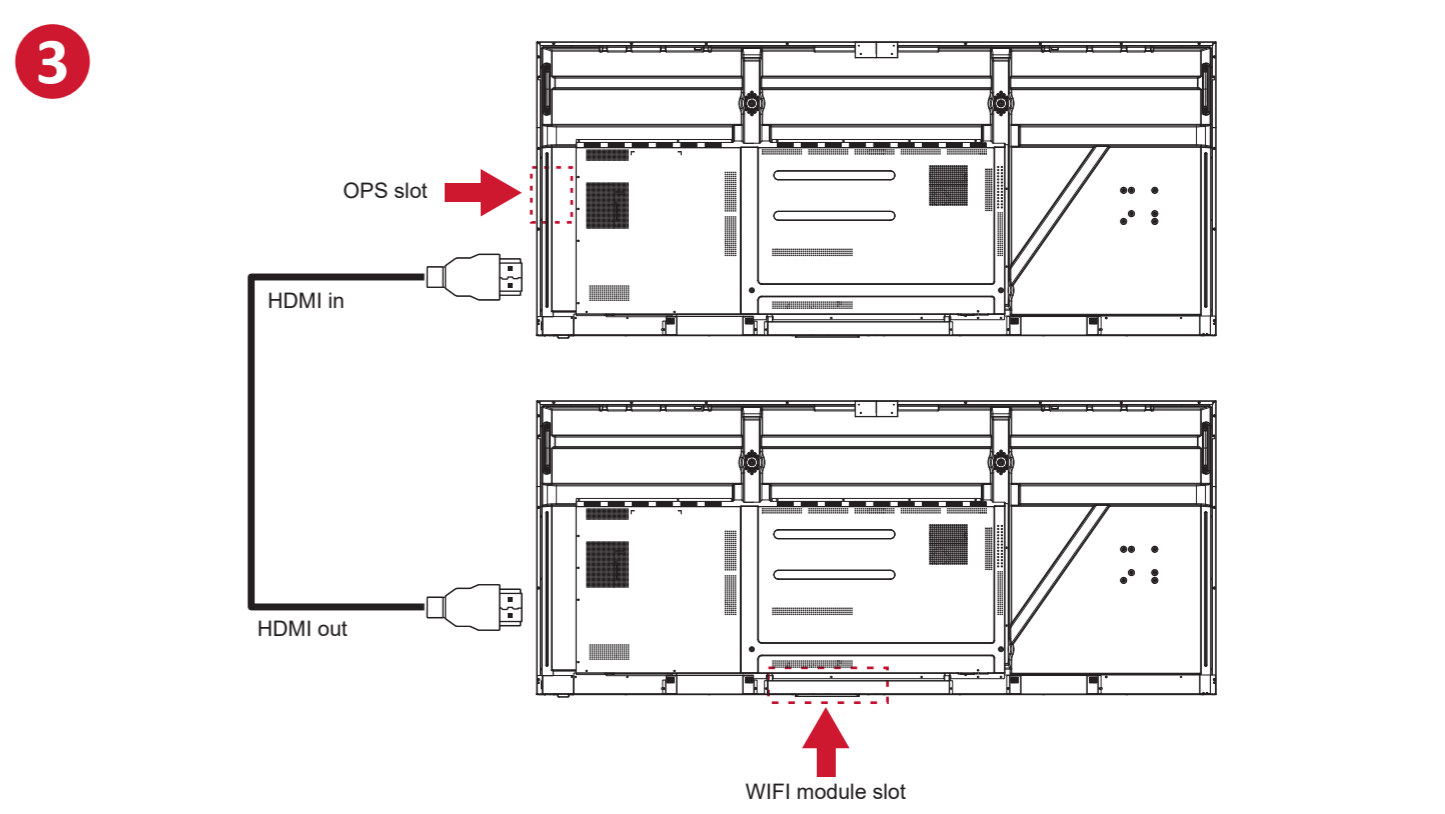


CDE92UW Series Commercial Display Quick Start Guide



HDMI® The terms HDMI, HDMI High-Definition Multimedia Interface, HDMI trade dress and the HDMI Logos are trademarks or registered trademarks of HDMI Licensing Administrator, Inc.





Scan for more information

CDE92UW



Scan for more information

Support Center



Scan for more information

www.viewsonic.com

ViewSonic Europe Limited
Haaksbergweg 75
1101 BR Amsterdam
Netherlands
+31 (0) 650608655
EPREL@viewsoniceurope.com
<https://www.viewsonic.com/eu/>

